

# IQ LIFT



## PRO 7<sup>↑</sup> ACTIVE



IMMA200  
REV.3



+44 (0)1244 833 933



info@popupproducts.co.uk



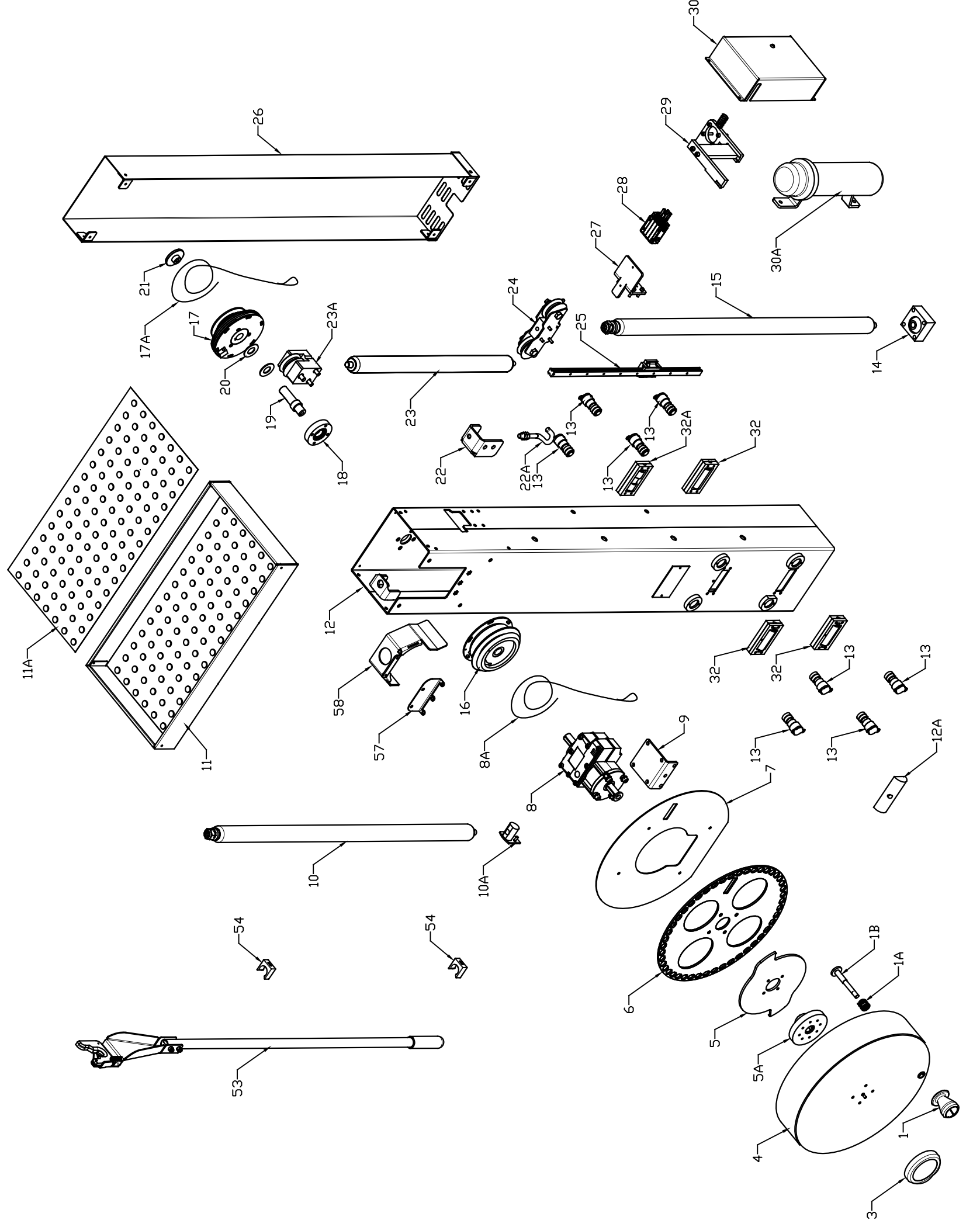
popupproducts.co.uk

# TABLE OF CONTENTS

---

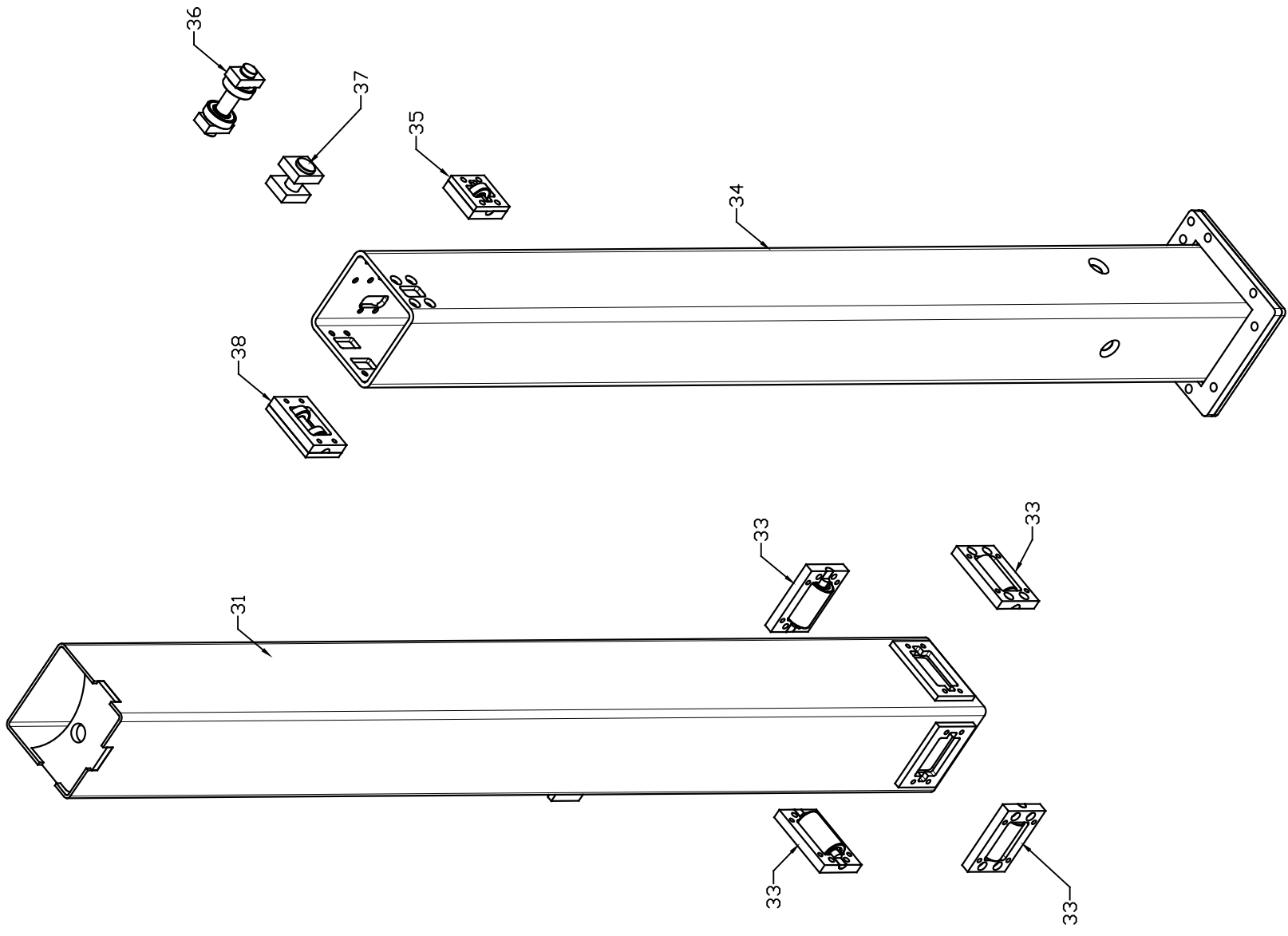
1. OUTER MAST	3
2. INNER MAST	4
3. BASE UNIT	5
4. HANDRAILS & PLATFORM	6

# 1. OUTER MAST



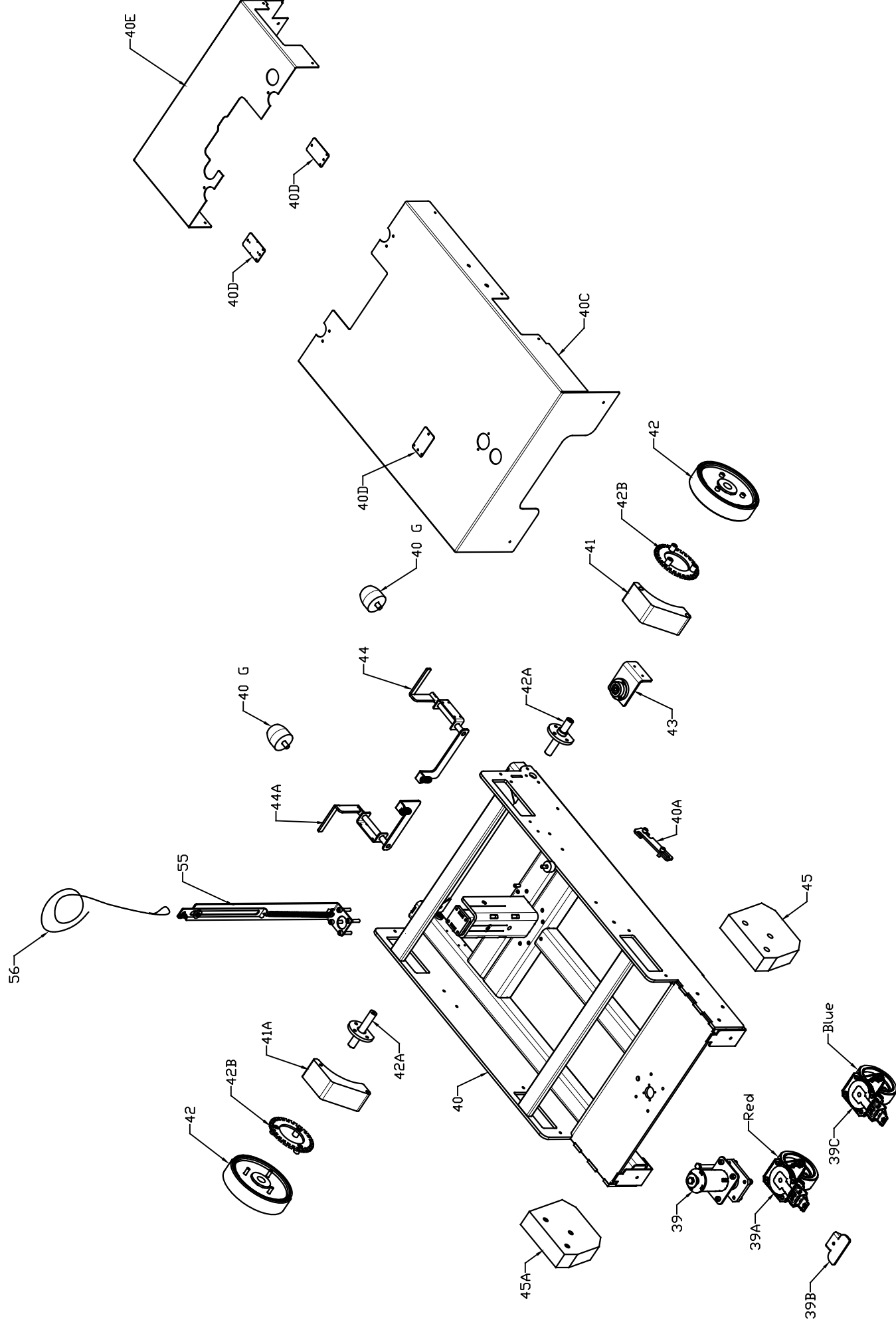
ITEM NO.	PART NUMBER	PART DESCRIPTION
1	04-R0001	Hand-Crank Handle
1A	04-R0001A	Hand-Crank Handle Spring
1B	04-R0001B	Hand-Crank Handle Pin
3	04-R0003	Hand-Crank Cover Plate
4	04-RIQ0004	Hand Crank Outer Drum
5	04-R0005	Sftrey Stop Plate
5A	04-R0005A	Mounting Boss
6	04-R0006	Handle Pin Plate
7	04-RIQ0007	Backing Plate
8	04-R0008	Reducer Gearbox
8A	04-R0008A	Internal Cable 3M
9	04-R0009	Mounting Bracket
10	04-R0010	Gas Strut 'A'
10A	04-R0010A	Gas Strut Mount
11	04-RIQ0011	Tool Tray
11A	04-R0011A	Tool Tray Mat
12	04-RIQ0012	Mast Outer
12A	04-R0012A	Bearing Cover Plate
13	04-R0013	Roller(Kit)
14	04-R0014	Strut Mounting Block
15	04-R0015	Gas Strut 'B'
16	04-R0016	Inner Cable Drum
17	04-R0017	Outer Cable Drum
17A	04-R0017A	Outer Cable 5.5M
18	04-R0018	Cable Drum Spacer Boss
19	04-R0019	Cable Drum Shaft
20	04-R0020	Washer
21	04-R0021	Threaded Cap
22	04-R0022	Cable Hook Mounting Bracket
22A	04-R0022A	Cable Hook
23	04-R0023	Gas Strut 'C'
23A	04-R0023A	Upper Pulley Block
24	04-R0024	Bottom Pully Block
25	04-R0025	Linear Slide Assembly
26	04-RIQ0026	Cover Plate
27	04-R0027	Plunger Mech Mounting Bracket
28	04-R0028	Line Bearing Block
29	04-R0029	Line Bearing Slide
30	04-RIQ0030	Plunger Mech Cover
30A	04-R0030A	Document Holder
32	04-R0032	Roller Block 'A'
32A	04-R0032A	Roller Block 'A' With channel
53	04-R0053	Telescopic E-Down Assembly
54	04-R0054	Nylon Clip
57	04-R0057	Internal Cable Cover HD
58	04-R0058	Internal Cable Cover Bracket

## 2. INNER MAST



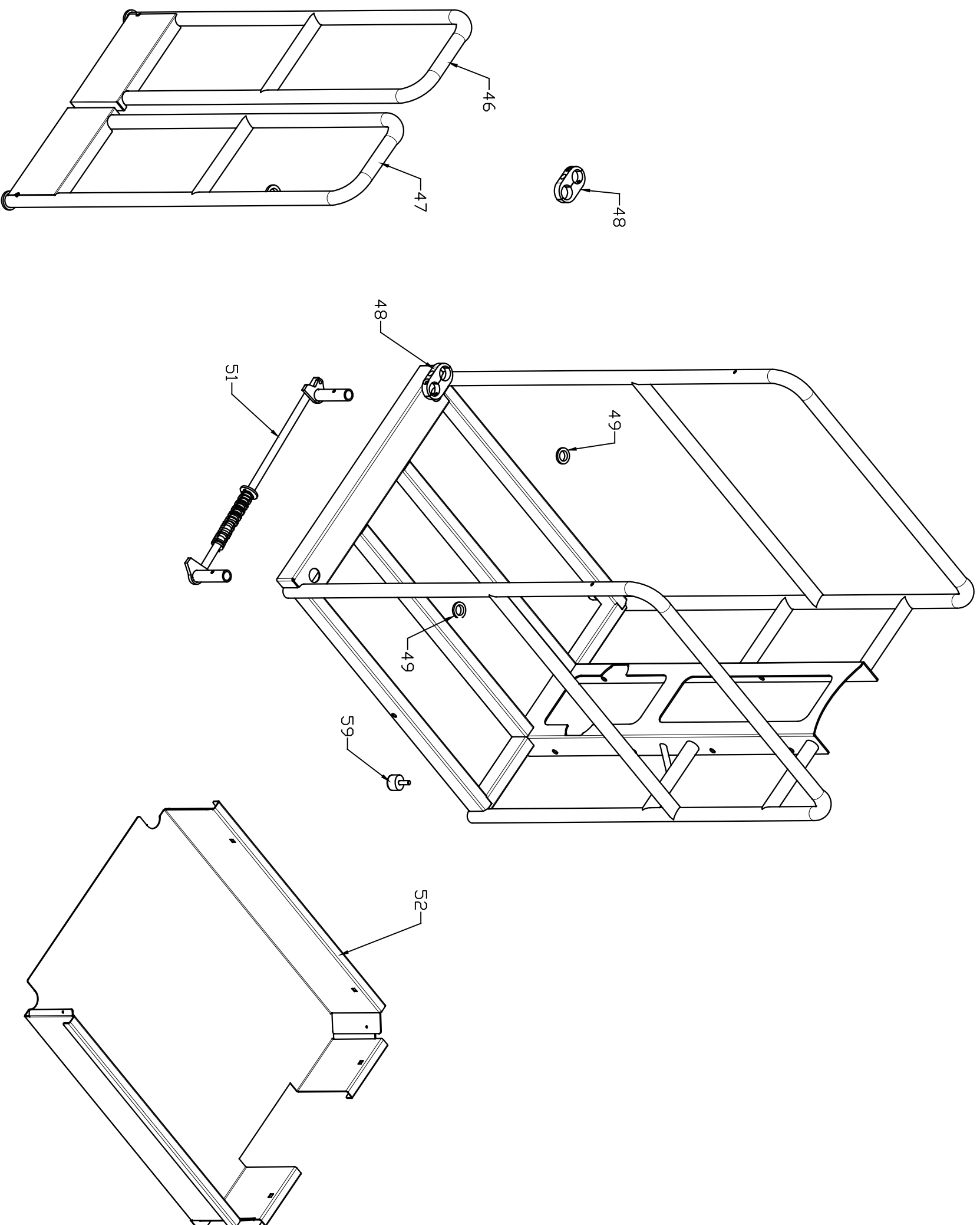
ITEM NO.	PART NUMBER	PART DESCRIPTION
31	04-R0031	Outer Mast Section
33	04-R0033	Roller Block 'B'
34	04-R0034	Inner Mast Section
35	04-R0035	Roller Block 'C'
36	04-R0036	Roller Block 'D'
37	04-R0037	Tie Block Assembly
38	04-R0038	Roller Block 'E'

### 3. BASE UNIT



ITEM NO.	PART NUMBER	PART DESCRIPTION
39	04-R0039	Swivel Caster Plunger Assembly
39A	04-R0039A	Swivel Caster RED
39B	04-RIQ39B	Swivel Caster Break Pedal
39C	04-RIQ39C	Swivel Caster BLUE
40	04-RIQ0040	Chassis
40A	04-R0040A	Transport Safety Hook Assembly
40C	04-R0040C	Top Cover Rear
40D	04-R0040D	Top Cover Tie Tabs
40E	04-R0040E	Top Cover Front
40G	04-R0040G	Top Cover Front
41	04-R0041	Front Wheel Bumper Block - RH
41A	04-R0041A	Front Wheel Bumper Block - LH
42	04-R0042	Front Wheel
42A	04-R0042A	Front Wheel Axle
42B	04-R0042B	Break Disk
43	04-R0043	Spirit Level Assembly
44	04-R0044	Break Assembly - RH
44A	04-R0044A	Break Assembly - LH
45	04-R0045	Rear Outrigger Block - RH
45A	04-R0045A	Rear Outrigger Block - LH
55	04-R0055	Safety Break Plate
56	04-R0056	Safety Break Cable

# 4. HANDRAIL & PLATFORM



ITEM NO.	PART NUMBER	PART DESCRIPTION
46	04-R0046	Gate Assembly - LH
47	04-R0047	Gate Assembly - RH
48	04-R0048	Hinge Block Assembly
49	04-R0049	Plastic Spacer Washer
50	04-RIQ0050	Cage Assembly
51	04-R0051	Door Closure Spring Assembly
52	04-R0052	Platform Tray
59	04-R0059	Gate Foot Stopper





IQ LIFT PRO 7 ACTIVE  
SPARE PARTS MANUAL

---

© 2022 Pop Up Products Limited  
Unit E1, Tenth Avenue  
Deeside Ind Park  
Deeside, Flintshire  
CH5 2UA

Tel.:+44 (0) 1244 833933

E-mail - [support@popupproducts.co.uk](mailto:support@popupproducts.co.uk)  
Website - [popupproducts.co.uk](http://popupproducts.co.uk)

Revision Date: March 2025